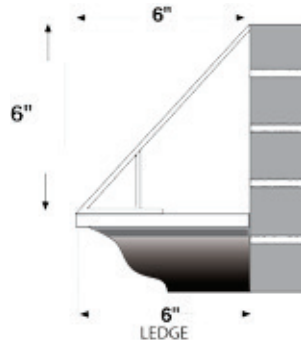


# Bird Slope Installation Instructions:

## Description:

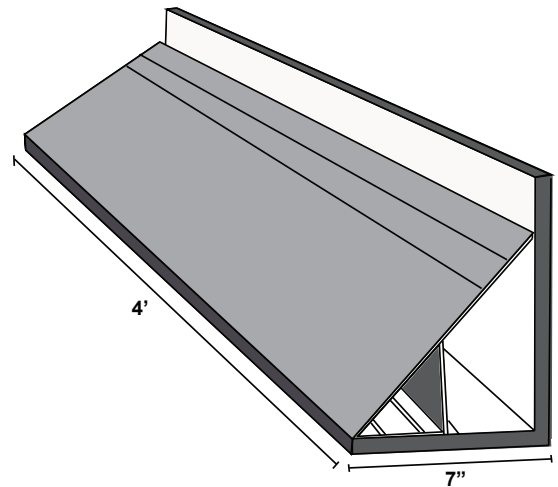
Bird Slope is an anti-perching, anti-roosting, pest bird deterrent that is effective against all types of birds.

## Applications:



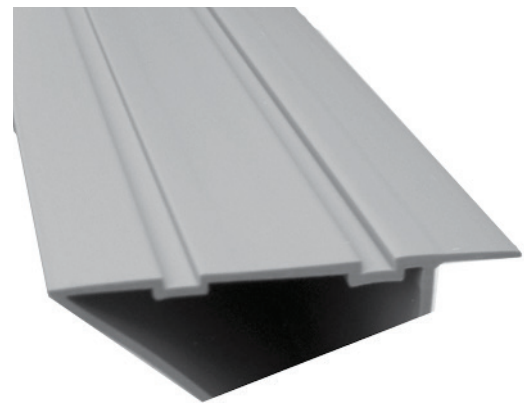
**Ledges:** Bird Slope mounted on a ledge turns it into an area that pest birds cannot land. Creates a “slippery slope”.

**Eaves:** Mounted upside down with special mounting clips, the bird slope creates a slippery area that swallows cannot attach their mud nests to.



## Bird Slope Specifications

- Each piece of slope is 4’ long, and will cover a ledge 6” wide
- Effective against all bird species
- U.V. Protected PVC - Sun & Weather Resistant!
- Easy to Install End Caps!
- Glue trough on underside for easy adhesive application



## Installation:

Before installation, the area being treated should be cleaned off and dried. The base of the slope is 2 ¾” wide, and can be glued down with an outdoor polyurethane adhesive. There are glue troughs on the underside of the slope.



End Caps can be glued into place at the “end” of each slope application; this will prevent birds from getting behind the slope itself.

The basic bird deterrent slope, without an extender can treat a ledge 6” wide, there are extenders that can be attached for ledges up to 10” wide.

There are also mounting clips available for vertical installation on the sides of buildings.

## QUESTIONS?

Call Bird•B•Gone® at 949.472.3122 or 800.392.6915

Email: nobirds@birdbgone.com



BIRDBGONE.COM | 800.392.6915