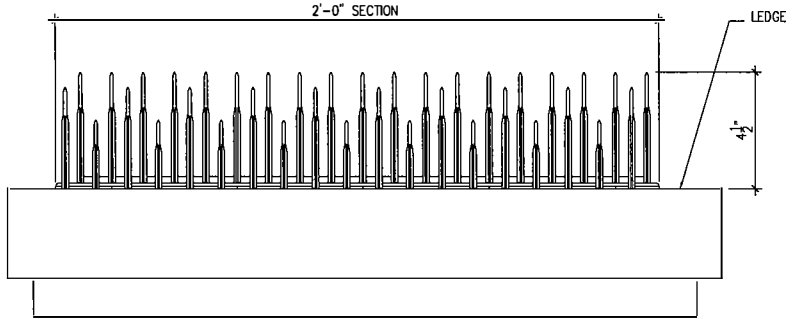
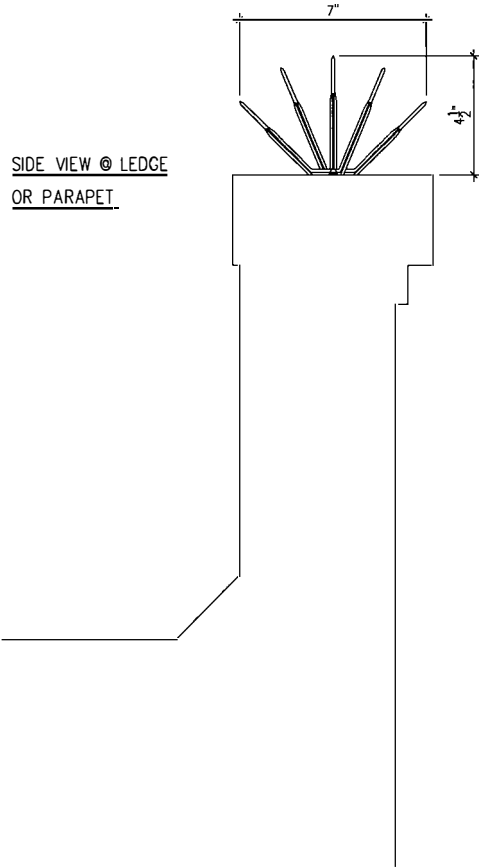


# BIRD-B-GONE, INC.

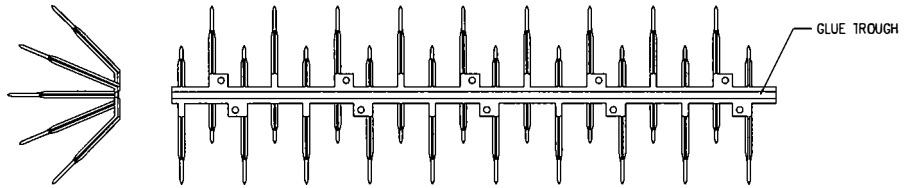
BIRD SPIKE 2000-7"

15375 Barranca Pkwy, Bld. D  
Irvine, CA 92618  
TEL: 800-392-6915 OR 949-472-3122  
FAX: 949-472-3116

SIDE VIEW @ LEDGE  
OR PARAPET.



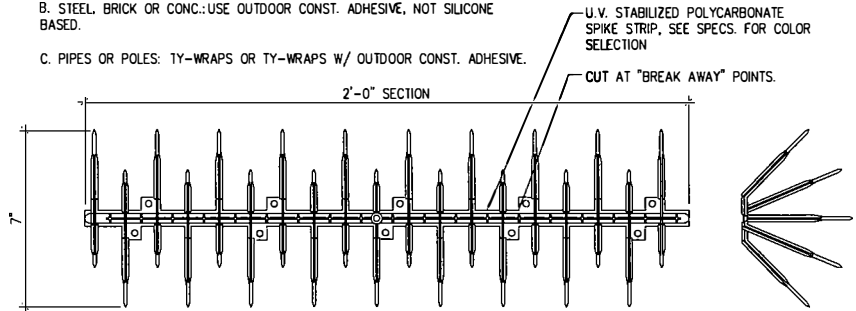
FRONT VIEW



BOTTOM VIEW

NOTE: SPEC. MOUNTING SYSTEM PER PROJECT CONDITIONS:

- A. WOOD: USE #8 WOOD SCREWS.
- B. STEEL, BRICK OR CONC.: USE OUTDOOR CONST. ADHESIVE, NOT SILICONE BASED.
- C. PIPES OR POLES: TY-WRAPS OR TY-WRAPS W/ OUTDOOR CONST. ADHESIVE.



TOP VIEW

