



# Installation Instructions

## Reflect-A-Bird™ Wind-powered spinning visual bird deterrent

Thank you for purchasing the Reflect-A-Bird™ – Wind-powered spinning visual bird deterrent. For best results please read these instructions before using and retain them for future reference.

### Reflect-A-Bird™ Overview:

Bird • B • Gone® Reflect-A-Bird™ is a silent wind-powered spinning visual bird deterrent that effectively scares birds away. The Reflect-a-Bird™'s mirror-like design uses sunlight and wind to create a distraction zone that confuses pest-birds causing them to flee the area. The weatherproof aluminum and plastic construction make this bird deterrent ideal for outdoor use. For best results, use Reflect-a-Bird™ in conjunction with other visual or physical bird deterrents.

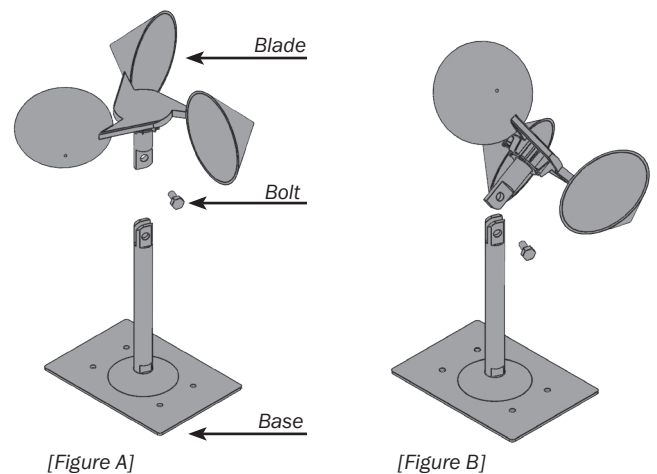
### What's needed for installation:

- Screwdriver
- Wrench
- Four (4) #10 screws (be sure to get the type needed for the material you are attaching to, and make sure screw head is larger than ¼").

### How to install your Reflect-A-Bird™:

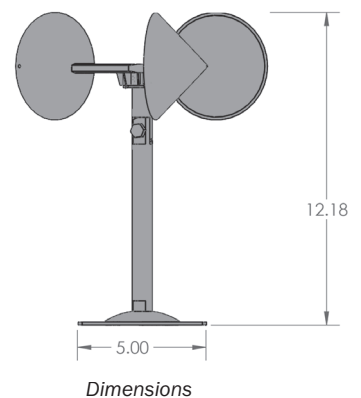
1. For best results use in areas with high wind and plenty of sun.
2. Remove base and top fan from box.
3. Remove bolt from top of base.
4. Slide top fan onto base and attach with bolt provided. [See Figure A]
5. Before securing bolt with wrench, choose the fan angle for your Reflect-a-Bird™ installation. [See Figure B]
6. Use four (4) #10 screws to attach base to installation surface.
7. When attaching to fiberglass, such as on a boat, use suction cups (sold separately) instead of 4x #10 screws

**Note:** For optimal installation it is recommended that you use screws, not adhesive, to attach the aluminum base.



Once installed, the Reflect-a-Bird™ should spin freely in the breeze, catching the sun in the reflective fan, scaring birds as they fly by.

**Need help?** Contact Bird • B • Gone®, Inc. via telephone at 800.392.6915 or via email at nobirds@birdbgone.com.



**BIRD • B • GONE**®  
Inc.  
Professional Bird Control Solutions

**800.392.6915**  
**BirdBGone.com**