

# BIRD-B-GONE, INC.

BIRD SPIKE 2001-8"

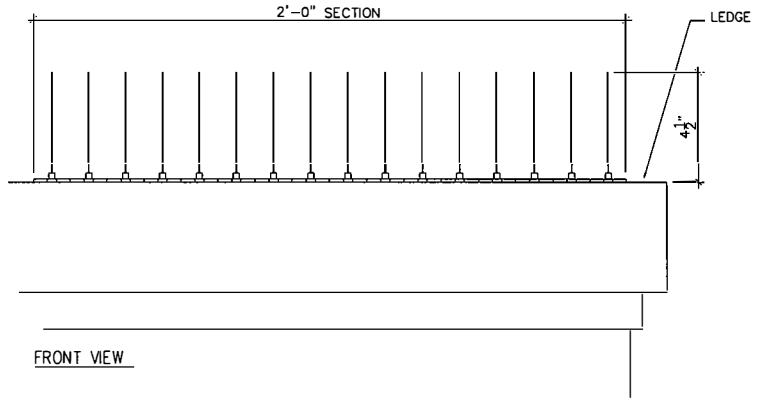
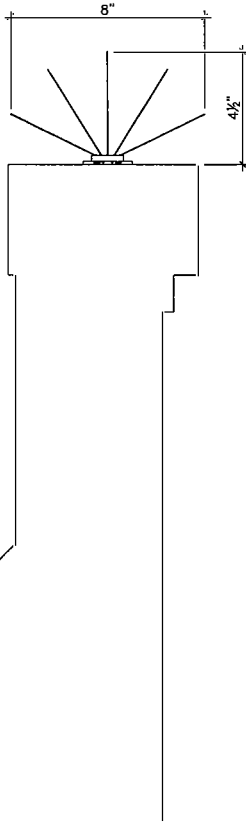
15375 Barranca Pkwy, Bld. D

Irvine, CA 92618

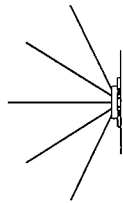
TEL: 800-392-6915 OR 949-472-3122 FAX:

949-472-3116

SIDE VIEW @ LEDGE  
OR PARAPET



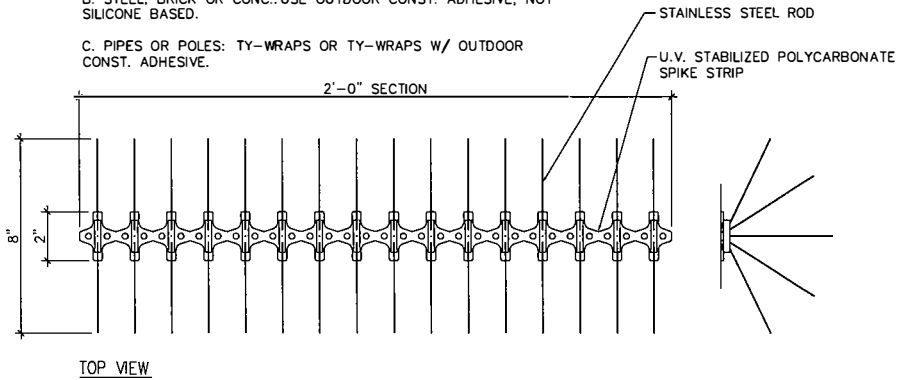
FRONT VIEW



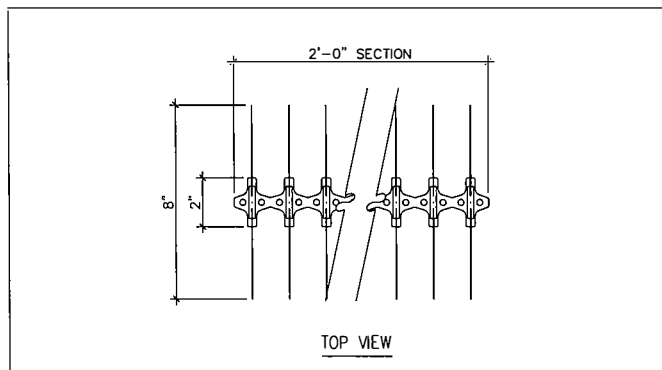
BOTTOM VIEW

NOTE: SPEC. MOUNTING SYSTEM PER PROJECT CONDITIONS:

- A. WOOD: USE #8 WOOD SCREWS.
- B. STEEL, BRICK OR CONC.: USE OUTDOOR CONST. ADHESIVE, NOT SILICONE BASED.
- C. PIPES OR POLES: TY-WRAPS OR TY-WRAPS W/ OUTDOOR CONST. ADHESIVE.



TOP VIEW



TOP VIEW

